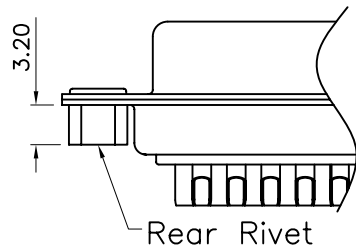
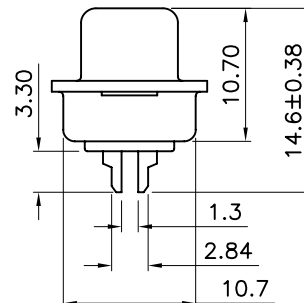


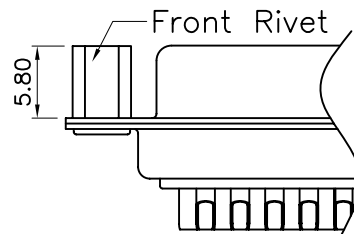
CS Type
(Thru Hole)



Rear Rivet



CC Type
(Not Thru Hole)



Front Rivet

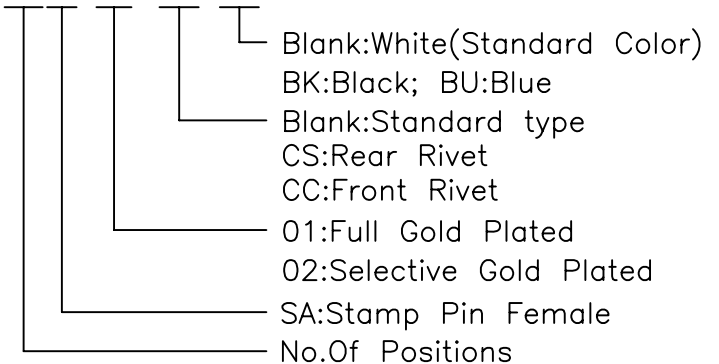
Specifications:
 Current rating:3.0A AC,DC
 Voltage rating:250V AC,DC
 Contact resistance:30m ohm max.
 Insulation resistance: 5,000M ohm min.
 Withstanding voltage:1,000V AC/Minute
 Operating Temperature:-40°C ~ +85°C
 Materials:

Insulator:High temp.plastic (UL94V-0)
 Contact:Copper alloy Nickel Undercoated,
 Selective Gold plated

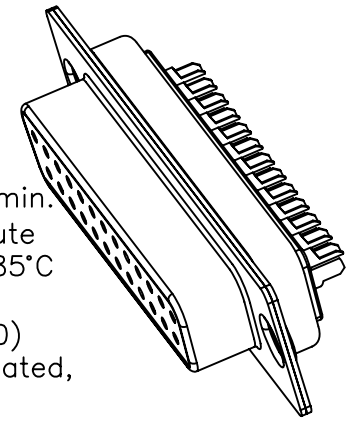
Finish:Metal Iron with Tin plated

How To Order

5501-XXSA-XX-XX-XXF1




Pos	A	B	C	D	E
9	16.33	24.99	30.81	7.90	12.50
15	24.66	33.32	39.14	7.90	12.50
25	38.38	47.04	53.04	7.90	12.50
37	54.84	63.50	69.32	7.90	12.50
50	52.43	61.11	66.93	10.74	15.37



RoHS Compliant

F				DRAWN:	GENERAL TOLERANCE:
E				Cel king	.X=±0.2
D				CHECKED:	.XX=±0.15
C				JEREMY LIU	UNIT: MM
B				APPROVAL:	SCALE: 1:1
A	05-Jul-2005	(PC0052)	Cel king	MIKE WU	SHEET: 1 / 1
REV	DATE	FILE	BY		PROJECTION:


繼德工業股份有限公司
Neltron Industrial Co., Ltd.

DESCRIPTION:
D-SUB Solder Female Stamp Pin Type

PART NO:
5501-XXSA-XX-XX-XXF1

SIZE	A4
------	----